



Cardiac Epsilon™ High-Voltage Generator

CABLE DISCHARGE UNIT OPTION

TECHNICAL SPECIFICATIONS

Copyright application © 2007, 2008 by **emd technologies** Inc. All rights reserved. **emd technologies** and the EMD Technologies logo are trademarks of **emd technologies** Inc., registered in the U.S.A. and other countries.

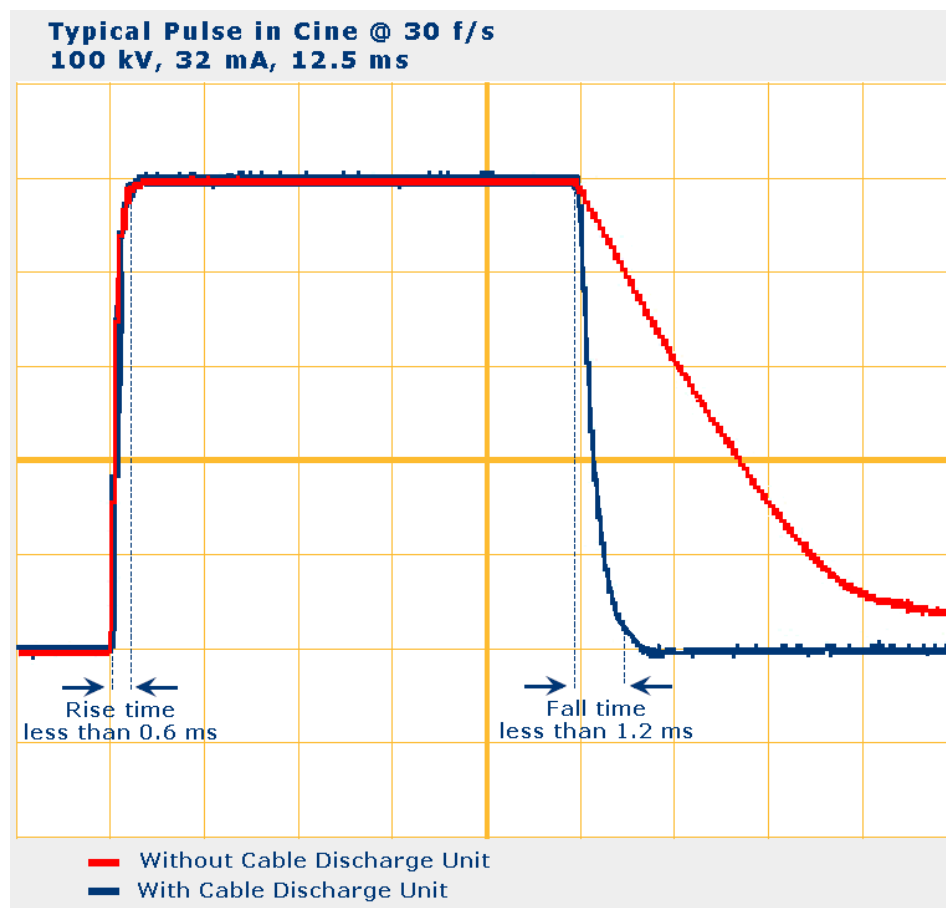
Contents of this publication may not be reproduced in any form or by any means, electronic or mechanical, including photocopying and recording, or by any information storage or retrieval system without the written permission of **emd technologies** Inc., 400 rue du Parc., Saint-Eustache (Québec), Canada, J7R 0A1.

CABLE DISCHARGE UNIT OPTION

1. INTRODUCTION

The **Cable Discharge Unit** option provides the Cardiac EPS 45-80 High-Voltage generator with an electronic crowbar mechanism that permits multiple exposures at precise exposure times using rapid rise and fall times along a broad spectrum of tube mA, on standard (no grid) X-ray tubes.

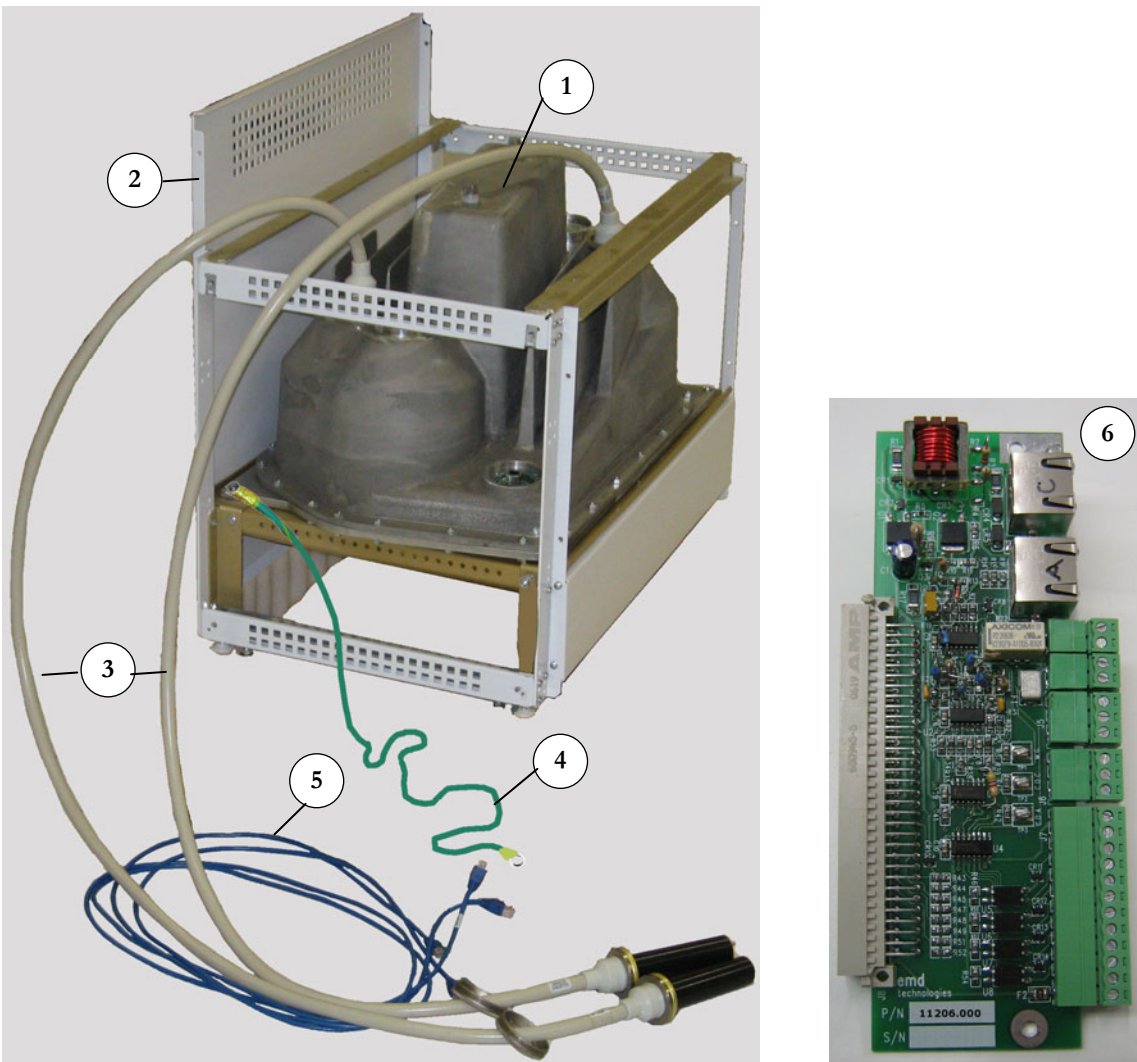
The quick turning on and off of the high-voltage output (Figure 1) dramatically improves the quality of images acquired from cineradiography, digital subtraction angiography, digital radiography and Pulsed Fluoro.



DRAMATICALLY IMPROVING QUALITY OF CARDIAC IMAGES

Figure 1 – Two typical kVp waveforms superimposed for the benefit of comparison.

2. CABLE DISCHARGE PARTS

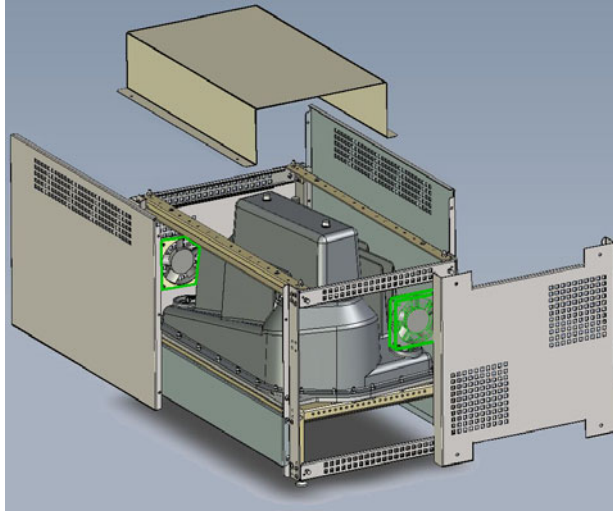


- | | |
|---|-------------------------------------|
| (1) Cable Discharge Assembly; | (2) Decorative cabinet (cutaway); |
| (3) H.V. cables with Federal connectors (6-feet); | (4) Ground cable (8-feet, green); |
| (5) Two patch cables (8-feet, blue); | (6) Cable Discharge Interface board |

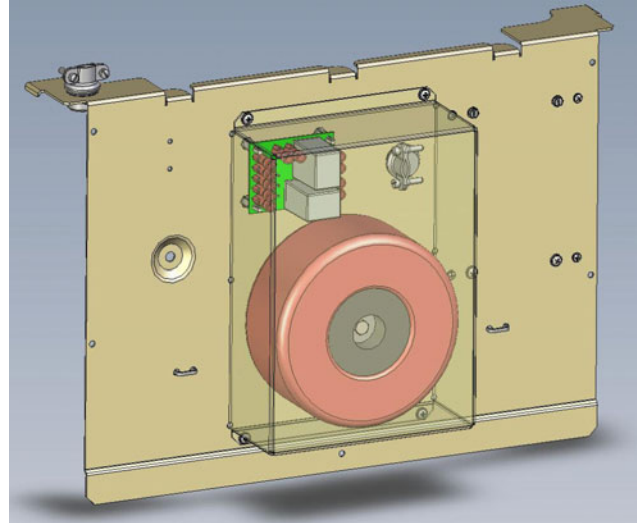
Figure 2 – Parts included with the Cable Discharge unit.

3. ADDITIONAL PARTS FOR INCREASED DUTY CYCLE

With the Cable Discharge Increased Duty Cycle option, two fans (air coolers) are added to the unit, including a 24 VDC/24 VAC Auxiliary Power Supply (Figure 3).



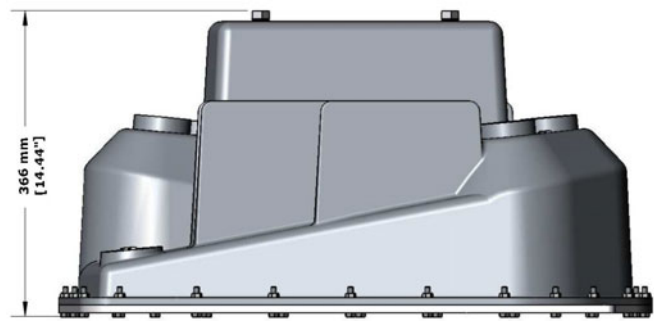
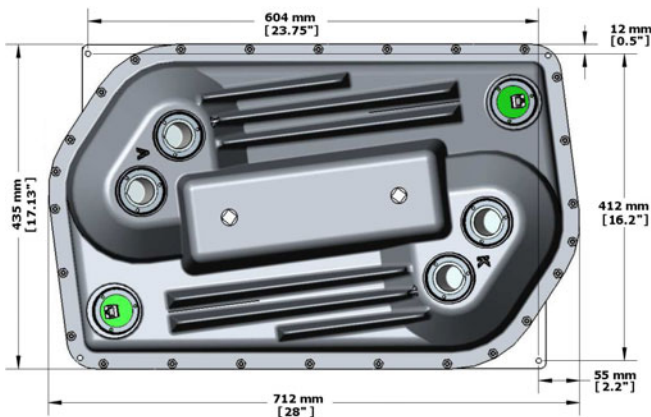
1. Anode & Cathode 24-VDC fans installed on Cable Discharge Unit, shown in green.



2. Auxiliary Power Supply, installed on the EPS Generator Line-Access Panel (with step-down transformer seen across protective cover).

Figure 3 – Additional parts with Cable Discharge Increased Duty Cycle P/N 10029.000.

4. PHYSICAL DIMENSIONS



Approximate weight: 45.5 kg [100 lb]
 Total weight including cabinet & cables: Approx. 56 kg [123 lb]

Figure 4 – Physical dimensions of Cable Discharge Assembly